

RELC-12-LED

LED Inpavement Combined Runway Edge Light (12" 6mm)

Compliance with Standards

CAAC: AC-137-CA-2015-01
 CAAC: AC-137-CA-2015-03
 SAC: GB/T 7256
 ICAO: Annex 14, Volume I
 IEC: TS 61827
 FAA: AC 150/5345-46
 FAA: EB NO.67
 NATO: STANAG 3316

Application/Use

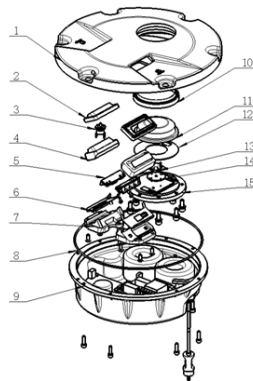
Runway edge light with or without circle guidance function

Features

- LED is featured by long life, effective energy saving, maintenance-free, which brings enormous economic benefits
- Proprietary prism structural design and manufacturing process to ensure excellent optical performance
- Strict LED color management to ensure premium color consistency
- Consistent dimming curve with halogen lamp fixture, complying with FAA standards
- Proprietary driving circuit and thermal management solution, which greatly improves the reliability and service life of light fixture
- Power factor above 0.9, minimizing the power network interference
- Optional function of single lamp failure detection, which enables the light to be open as halogen lamp once LED fails
- Specially-designed structure, protruding only 6.35mm above finish grade
- Upper cover with flat out-light surface to prevent from water buildup and ensure high luminous efficiency
- Upper cover with equal-strength design and forging craft, which has premium mechanical, barrier capacity, and shock resistance ability
- Smooth upper cover without sharp edge to prevent aircraft tires from damaging
- Main body of lighting fixture is made of high thermal conductive aluminum alloy, which ensures good heat dissipation performance
- High-precision parts machining to ensure all dimensional quality and precision
- Main structure made of corrosion-resistant aluminum alloy with special anodizing treatment, all fasteners are made of stainless steel, suitable for harsh environment application
- IP68 Ingress protection-grade, that can withstand inner pressure of up to 138kpa or water pressure generated from aircrafts' impact on the optical window

Structure

- | | |
|---------------------------|------------------------------|
| 1. upper cover | 10. O-prism gasket sleeve |
| 2. prism gasket sleeve | 11. O-prism |
| 3. thermal switch | 12. O-prism gasket |
| 4. prism | 13. O-LED lens |
| 5. LED lamp assy | 14. O-LED lamp assy |
| 6. prism gasket | 15. O-prism pressing bracket |
| 7. prism pressing bracket | |
| 8. light body gasket | |
| 9. inner cover assy | |



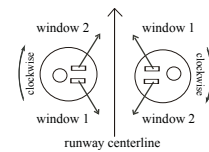
Ordering Information

RELC-12-LED-XX-X-XX-X

Type _____
 RELC-12=12"6mm in-pavement combined runway edge light

Light source _____
 LED=LED lamp

Main Beam color _____



YC=Window 1: yellow window 2: white
 CY=Window 1: white window 2: yellow
 CC=Both windows: white
 CR=Window 1: white window 2: red
 RC=Window 1: red window 2: white
 CB/YB/RB=Window 2:blank
 BC/BY/BR=Window 1:blank

Circle Guidance _____

B=Blank, no circle guidance function
 C=White circle guidance light

Plug _____

1P=One plug
 2P=Two plugs

Optional Function _____

M=Single lamp fault detection function
 A=Arctic Kit

* Provide detailed installation info while ordering, spare parts and accessories should be separately ordered with specific order no.

Installation

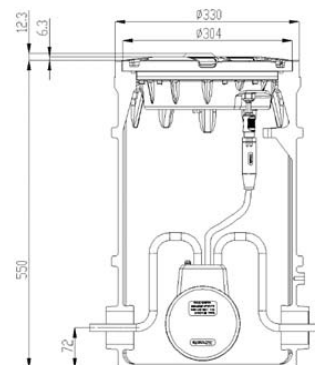


Fig 1 On 12" deep base

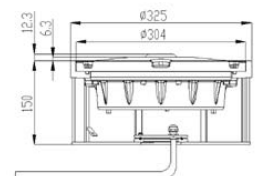
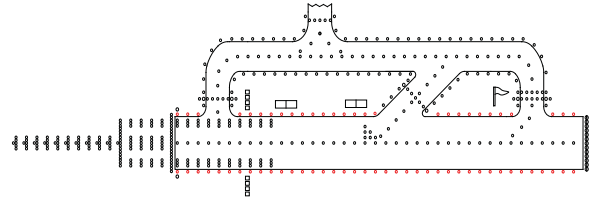


Fig 2. On 12" shallow base

* Please find detailed information in installation manual

RELC-12-LED

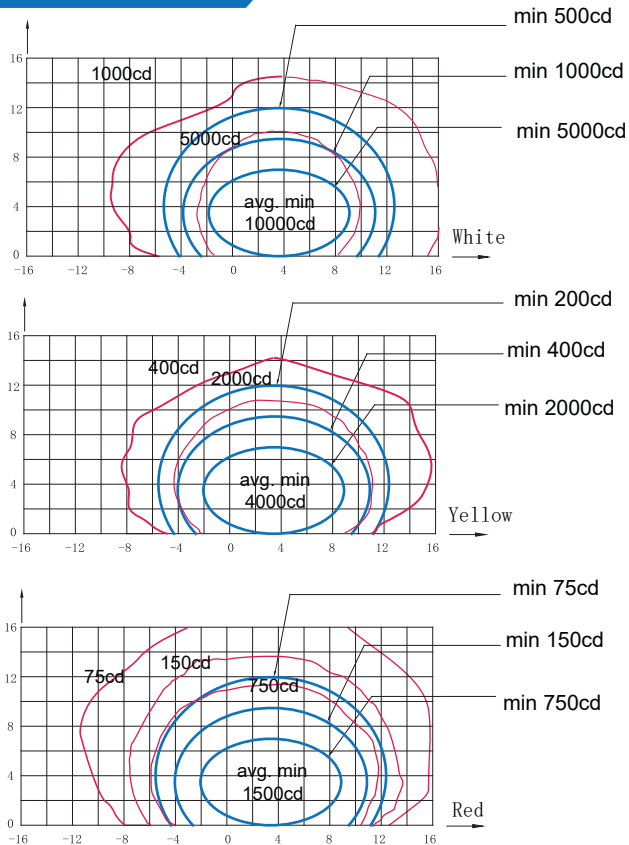
LED Inpavement Combined Runway Edge Light (12" 6mm)



Specifications

Power: 56VA(CC-C)/50VA(CY/YC-C)/36VA(YR/R Y-C)/49VA(CR/RC-C)
 57VA(CC-B)/48VA(CY/YC-B)/36VA(YR/R Y-B)/44VA(CR/RC-B)
 Power Factor: ≥ 0.9

Photometric



RELC-12-LED, ICAO Figure A2-10

Application		Main Beam		Color	Required min avg. cd	Actual avg. cd
		H	V			
RELC-12-LED	ICAO Figure A2-9/ FAA L-850C	$\pm 5.5^\circ$ (Toe-in 3.5°)	0°—7°	White	10000	12088
				Yellow	4000/5000	5035
				Red	1500/2000	2750
	ICAO Figure A2-10	$\pm 6.5^\circ$ (Toe-in 4.5°)	0°—7°	White	10000	11308
				Yellow	4000	4732
				Red	1500	2560
ICAO 5.3.9.9	360°	0°—15°	White	50	60	

Packing Data

1 light w/o base Packing size: 330×330×150mm³
 Unit net weight: 9.0kg Gross weight: 9.7kg
 1 light w/ 12' shall base Packing size: 350×350×185mm³
 Unit net weight: 13.0kg Gross weight: 14.3kg

Spare Parts

Struc No	Part Name	Order No.	Description
2	prism gasket sleeve	43117	prism gasket sleeve (61×28)-H6
4	prism	31158	prism (61×28) -H6
5	LED lamp assy	932053 -RELS-Y	LED lamp assy-RUNWAY-Y-RELS
		932053 -RELS-R	LED lamp assy-RUNWAY-R-RELS
		932053 -RELS-C	LED lamp assy-RUNWAY-C-RELS
6	prism gasket	43316	prism gasket(67×21)
7	prism pressing bracket	43241	prism pressing bracket(71×65)
8	light body gasket	41135	O-ring 228.27×2.62
10	O-prism gasket sleeve	43115	LED O-prism gasket sleeve
11	O-prism	31113	O- prism (LED 3-20°)52°
13	O-prism gasket	43322	O-prism gasket Ø81
14	O-LED lamp assy	979271-C	O-LED lamp assy 1P-P-6 clear
15	O-prism pressing bracket	43217	O-prism pressing bracket 108

Accessories

No.	Order No.	Description
1	SB-12	12"deep base
2	DB-12	12"shallow base
3	41115	12" base O-ring
4	51121	12"lamp handle
5	ITF-065-066	65-watt isolation transformer
6	REC7	moulded type secondary cable receptacle style 7