



## Compliance with Standards

CAAC: AC-137-CA-2015-01  
 CAAC: AC-137-CA-2015-03  
 SAC: GB/T 7256  
 ICAO: Annex 14, Volume I  
 IEC: TS 61827  
 FAA: AC 150/5345-46  
 FAA: EB NO.67  
 NATO: STANAG 3316

## Application/Use

Rapid exit taxiway indicator light

## Features

- LED is featured by long life, effective energy saving, maintenance-free, which brings enormous economic benefits
- Proprietary prism structural design and manufacturing process to ensure excellent optical performance
- Strict LED color management to ensure premium color consistency
- Consistent dimming curve with halogen lamp fixture, complying with FAA standards
- Proprietary driving circuit and thermal management solution, which greatly improves the reliability and service life of light fixture
- Power factor above 0.9, minimizing the power network interference
- Optional function of single lamp failure detection, which enables the light to be open as halogen lamp once LED fails
- Specially-designed structure, protruding only 6.35mm above finish grade
- Upper cover with flat out-light surface to prevent from water buildup and ensure high luminous efficiency
- Upper cover with equal-strength design and forging craft, which has premium mechanical, barrier capacity, and shock resistance ability
- Smooth upper cover without sharp edge to prevent aircraft tires from damaging
- Main body of lighting fixture is made of high thermal conductive aluminum alloy, which ensures good heat dissipation performance
- Main structure made of corrosion-resistant aluminum alloy with special anodizing treatment, all fasteners are made of stainless steel, suitable for harsh environment application
- High-precision parts machining to ensure all dimensional quality and precision
- IP68 Ingress protection-grade, that can withstand inner pressure of up to 138kpa or water pressure generated from aircrafts' impact on the optical window
- Interchangeable, modular-designed components, applicable for all series of 8-inch LED in-pavement runway lights(6 mm), which effectively cuts down the inventories.

## Ordering Information

RAPS-08-LED-Y-X  
 Type \_\_\_\_\_  
 RAPS-08=8" 6mm rapid exit taxiway indicator light (6.35mm protrusion above pavement)  
 Light source \_\_\_\_\_  
 LED=LED lamp  
 Beam direction \_\_\_\_\_  
 Y=Yellow  
 Optional function \_\_\_\_\_  
 M=Single lamp fault detection function  
 A=Arctic Kit

\* Please provide detailed installation info while ordering, spare parts and accessories should be separately ordered with specific order no.

## Installation

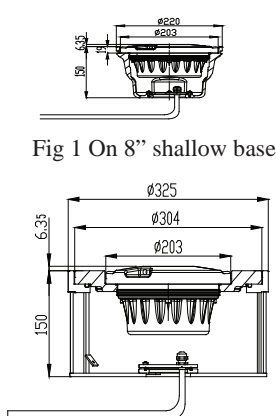


Fig 1 On 8" shallow base

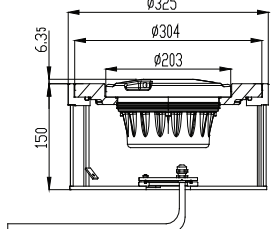


Fig 2. On 12" shallow base w/ 12"/8" adapter ring

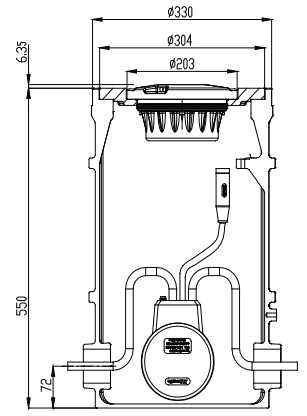
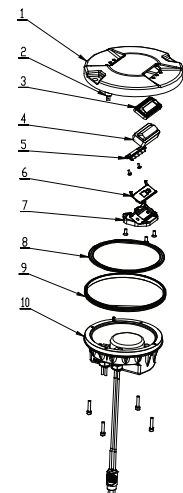


Fig 3. On 12" deep base w/ 12"/8" adapter ring

\* Please find detailed information in installation manual

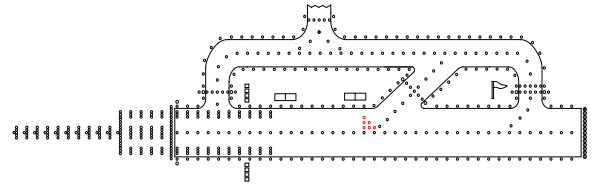
## Structure

1. upper cover
2. thermal switch
3. prism gasket sleeve
4. prism
5. LED lamp assy
6. prism gasket
7. prism pressing bracket
8. light body gasket
9. lighting fixture gasket
10. inner cover assy



## ■ RAPS-08-LED

## ■ LED Rapid Exit Taxiway Indicator Light (8" 6mm)

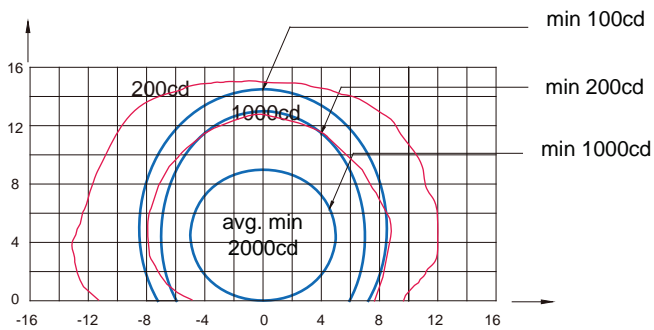


### Specifications

Power: 15 VA

Power Factor:  $\geq 0.9$

### Photometric Data



RAPS-08-LED (Yellow), ICAO Figure A2-7

Application		Main Beam		Color	Required min avg. cd	Actual avg. cd
		H	V			
RAPS-08-LED	ICAO Figure A2-7	$\pm 5^\circ$	$0^\circ - 9^\circ$	Yellow	2000	3136
	ICAO Figure A2-6	$\pm 5^\circ$	$0^\circ - 7^\circ$	Yellow	2000	3058

### Packing Data

1 lights w/o base

Unit net weight: 3.4 kg

1 light w/ 8" shallow base

Unit net weight: 6.4 kg

Packing size: 210×210×130mm<sup>3</sup>

Gross weight: 3.5 kg

Packing size: 240×240×180mm<sup>3</sup>

Gross weight: 6.5 kg

### Spare Parts

Struc No.	Part Name	Order No.	Description
3	prism gasket sleeve	43117	prism gasket sleeve (61×28)-H6
4	prism	31158	prism (61×28) -H6
5	LED lamp assy	932053 -RAPS-Y	LED lamp assy-RAPS-Y
6	prism gasket	43316	prism gasket(67×21)
7	prism pressing bracket	43241	prism pressing bracket(71×65)
8	light body gasket	41141	O-ring 137×2
9	light fixture gasket	41107	Seal belt(standard)

### Accessories

No.	Order No.	Description
1	SB-08	8" shallow base
2	SB-12	12" shallow base
3	DB-12	12" deep base
4	AR-12/08	12"-8" adaptor ring
5	951101	8" lamp handle
6	ITF-025-066	25-watt isolation transformer
7	REC7	moulded type secondary cable receptacle style 7