

PRODUCT DATASHEET

AGL Primary Connector Kits KDR600 & KDR610

FAA AC 150/5345-26, L-823, Styles 3 & 10, Class B

KDR600 for screened cable



KDR610 for unscreened cable



KDR Resin connector is designed for extreme conditions. KDR connector comes with polyurethane resin, which is poured inside the connector housing upon installation. This provides a permanent connection between connector housing and cable, which cannot be dismantled.

Electrical characteristics

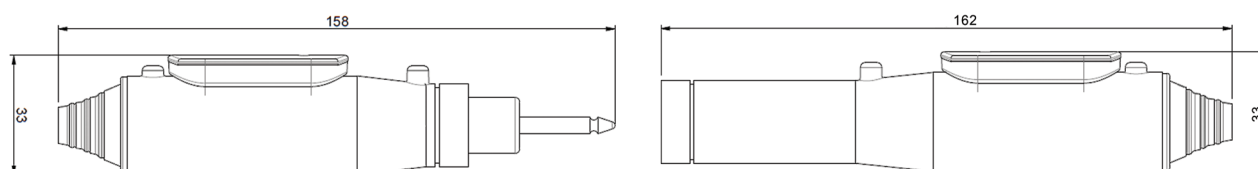
- Superior insulation resistance by thermoplastic elastomer (TPE)
- Nominal rating: 25 A and 5000 V
- Cable diameter 9.0–19.0 mm (0.354–0.827 inches)
- Conductor size 6–13 mm² (8–6 AWG)
- ROHS compliance with EU directive NO2002/95/EC
- Available for both screened (shielded) and unscreened (unshielded) cables.



Technical data

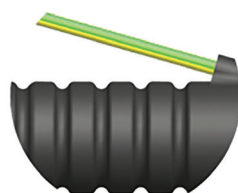
EFLA Type	Conductor size [mm ²]	AWG	Cable diameter [mm, inch]	Diameter/Length of assembly [mm, inch]
KDR600	6	8	9.0–19.0 mm, 0.354–0.748"	31/270 mm, 1.22/10.62"
KDR600.2	10	6	9.0–19.0 mm, 0.354–0.748"	31/270 mm, 1.22/10.62"
KDR610	6	8	9.0–19.0 mm, 0.354–0.748"	31/270 mm, 1.22/10.62"
KDR610.2	10	6	9.0–19.0 mm, 0.354–0.748"	31/270 mm, 1.22/10.62"

Outline dimensions



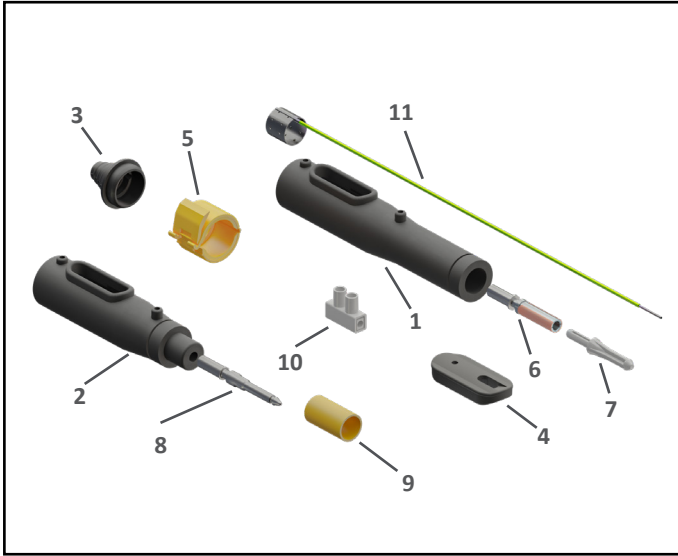
Screen continuity – KDR600

The standard screen continuity for KDR600 is a 300 mm long, 2.5 mm² tinned copper wire, with added yellow green jacket as default on KDR600.

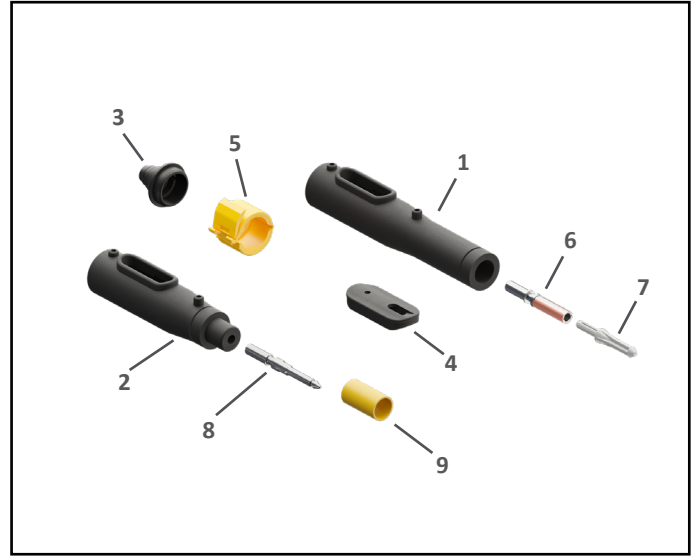


KDR600





KDR600



KDR610

Contents:

Resin bag (resin + hardener), gloves, sandpaper, installation instructions, 2 strips of self-vulcanizing tape and the components labeled in the figures above.

- | | |
|--|---|
| 1. Plug elastomer housing (male) | 7. Guiding pin (plastic) |
| 2. Receptacle elastomer housing (female) | 8. Metal pin |
| 3. End cap (x2) | 9. Plastic gauge |
| 4. Protective cap (x2) | 10. Screw type connector (6 mm ²) |
| 5. Locking device (x2) | 11. Screen conducting wire and ring (x2) |
| 6. Socket | |

Suggested crimping tools

	Manual Crimping Tools	Electric Crimping Tools
Primary connectors	Elpress GWB 4099C KLAUKE K05/6 KLAUKE K24 KLAUKE K18	Elpress PVL 130S - WB4099



Note:

Information given in this document provides general description. We reserve the rights to make technical changes or modify contents of this document without prior notification.

©EFLA Oy, 2023. All rights reserved.

