



Compliance with Standards

CAAC:AC-137-CA-2015-01 & 03
 SAC: GB/T 7256
 ICAO: Annex 14, Volume I
 IEC: TS 61827
 FAA: AC 150/5345-46 & EB NO.67
 NATO: STANAG 3316

Application/Use

Runway end light

Features

- The LED light is featured by long working life, energy conversation, maintenance-free, which brings enormous economic benefits to customers
- Proprietary optical design to ensure full lighting spot when the glass is partially obscured
- Strict LED color management to ensure premium color consistency
- Light distribution consistent with that of halogen lights, complying with FAA standards
- Proprietary driver circuit and thermal management solution, which greatly improves the reliability and service life of light fixture
- Power factor above 0.9, which minimizes the power network disturbance
- Optional function of single lamp failure detection, which enables the light to simulate open circuit of halogen lamp
- Compact structure and attractive appearance, with small windward area and strong ability against the gales
- The main body is made of aluminum alloy with anti-corrosion surface, all fasteners are made of stainless steel, suitable for harsh environment application
- High-precision parts and components machining to ensure all dimensional quality and precision
- Forged frangible device with precise machining, complying with FAA standards, ensuring good stability and reliability
- IP65-grade protected from total dust ingress
- The fixture can be connected to both one or two-inch extension pole, which ensures convenient and secure installation.
- The calibrator can be installed directly on the body with high precision
- Interchangeable, modular-designed components, applicable for all kinds of elevated unidirectional lights(LED type), which effectively runs down the inventories.

Ordering Information

EUL-ED-LED-R-X

Type _____
 EUL-ED = Elevated runway end light

Light Source _____
 LED=LED lamp

Beam Color _____
 R=Red

Optional Function _____
 M=Single lamp function detection function

* Please provide detailed installation info while ordering, spare parts and accessories should be separately ordered with specific order no.

Installation

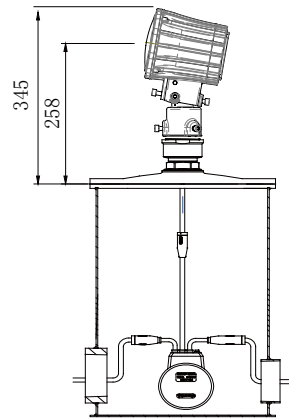


Fig 1. On 12'' deep base

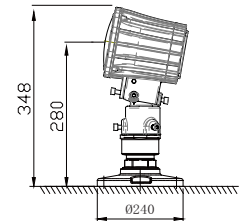
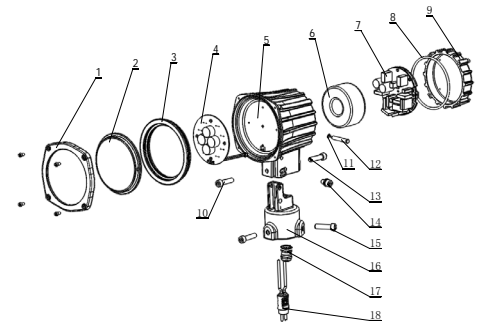


Fig 2. Flange direct mount

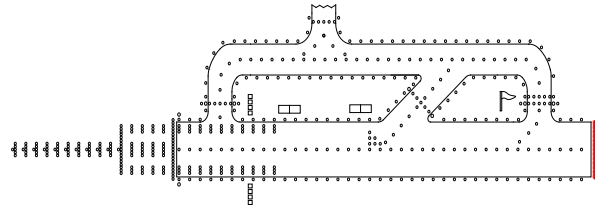
* Please find detailed information in installation manual

Structure



- | | | |
|-------------------------|---------------------------|--------------------------|
| 1. front cover | 7. driver assy | 13. rear adjusting screw |
| 2. optical cover | 8. light body gasket | 14. side locking screw |
| 3. optical cover gasket | 9. rear cover | 15. set screw |
| 4. LED lamp assy | 10. front adjusting screw | 16. body base |
| 5. light body | 11. washer | 17. waterproof gland |
| 6. transformer | 12. hinge pin | 18. plug |

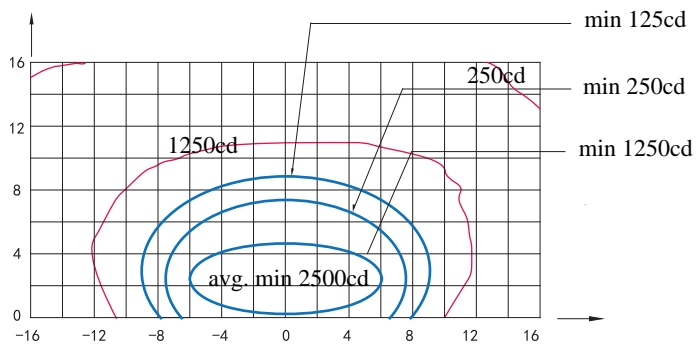
- EUL-ED-LED
- LED Elevated Runway End Light



Specifications

Light source: 4 red LED particles
 Power : 14VA
 Power factor: ≥ 0.9
 IP grade: IP65

Photometric Data



EUL-ED-LED (Red), ICAO Figure A2-8, FAA L-862E

Application		Main Beam		Color	Required min avg. cd	Actual avg. cd
		H	V			
EUL-ED-LED	ICAO Figure A2-8/ FAA L-862E	$\pm 6^\circ$	0.25°—4.75°/ 0.2°—4.7°	Red	2500	4082

Packing Data

1 light Size: 220×220×265 mm³
 Unit net weight: 3.5 kg Gross weight: 4.0 kg

Spare Parts

Struc No.	Part Name	Order No.	Description
2	Optical cover	31108	Front Glass JJD
3	Optical Cover Gasket	41110	Front Cover sealing components Rubber strip
4	LED Lamp Assy	979242-12-R	LED Lamp 103 (12-O) Red
6	Isolation Transformer	79125	Ring Form Isolation Transformer (35W)
8	Lamp Body Gasket	41154	O-ring 102*3
17	Waterproof Gland	48401	Metal Waterproof Gland MG20×1.5
18	Style 6 Plug	HT70603	Secondary Cable Connector-A6 Double core plug(Flat Type)-High Temperature resistance
19	Lamp Holder	942124	25°Lamp Holder Assy

Accessories

	Description	Order No.
1	Flange (10 inches)	FL-10
2	Flange (12 inches) G2 Screw	FL-12-X-G2
3	Frangible Coupling (2 inches)	FC-02
4	Isolation Transformer (45 W)	ITF-045-066
5	Secondary Calbe connector style 7	REC 7
6	Corrector	954211
7	Isolation Transformer Box	TJB-12